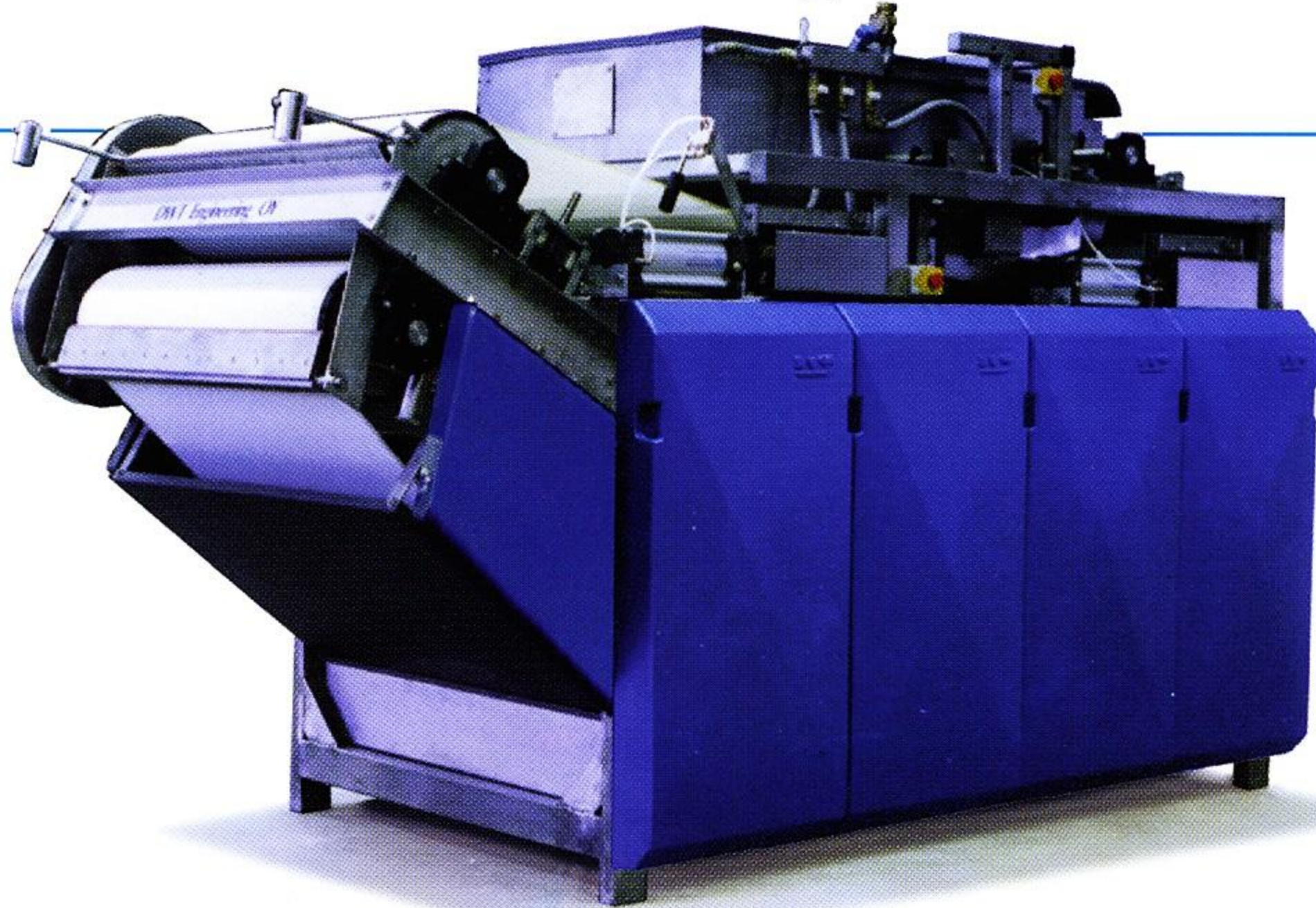




**WATER &
WASTE WATER
TREATMENT
SYSTEMS**

DWT-Engineering is a Finnish high-tech company specialising in designing, manufacturing and marketing efficient water and waste treatment systems for global environmental protection projects in municipal and industrial applications. DWT manufactures a wide range of standard and tailor made equipment. Wide experience in engineering, the use of the best materials and components, comprehensive network of representatives and good after sales service ensures the customers always the best and most economical solution.

H-PD High Pressure Belt Filter Press with Predewatering Unit



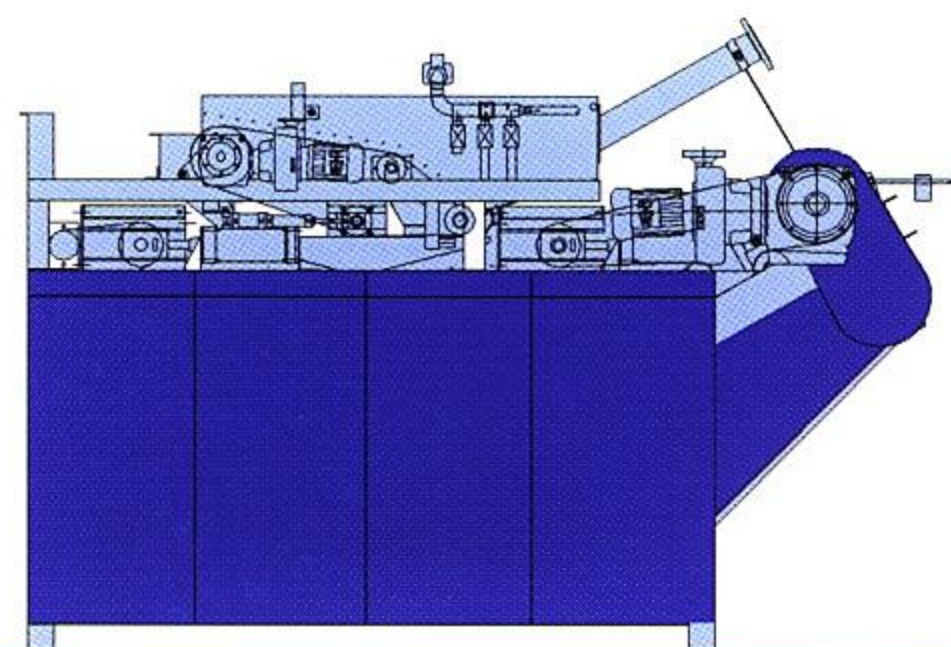
The Dewa H-PD belt filter press is a powerful heavy duty sludge press integrated with a predewatering unit. The belt type and speed can be selected independently in both the pressing and predewatering zones. With H-PD press it is possible to achieve extremely high DS concentration even with sludges having very low infeed concentration (e.g. 1%). All this means that the H-PD can handle almost all types of sludges effectively and the sludge dewatered with H-PD can be incinerated or recycled. Best possible components, stainless steel construction and high precision roller mechanism makes it robust, reliable and long lasting. High throughput, 4 different belt width alternatives, unique stress-free construction and excellent dewatering results makes the Dewa H-PD press an economical and wise choice.

- **Compact and efficient**
- **Extremely high DS output**
- **Ideal for demanding dewatering applications**
- **Equipped with separate predewatering unit**
- **Flexible and easy to use**
- **4 standard models**
- **High quality corrosion-free materials and components**
- **Wide range of application**
- **Low maintenance costs**
- **Low energy consumption compared with overall results**

H-PD CAPACITY CHART

Models	H-PD7	H-PD11	H-PD16	H-PD21
Belt width mm	700	1100	1600	2100
Effective filtration area m ²	7,0	10,9	15,8	28,8
Sludge flow m ³ /h	3-8	5-12	8-20	15-35
DS capacity kg DS/h	100-250	150-400	250-600	400-1000

See the dimension and application charts overleaf



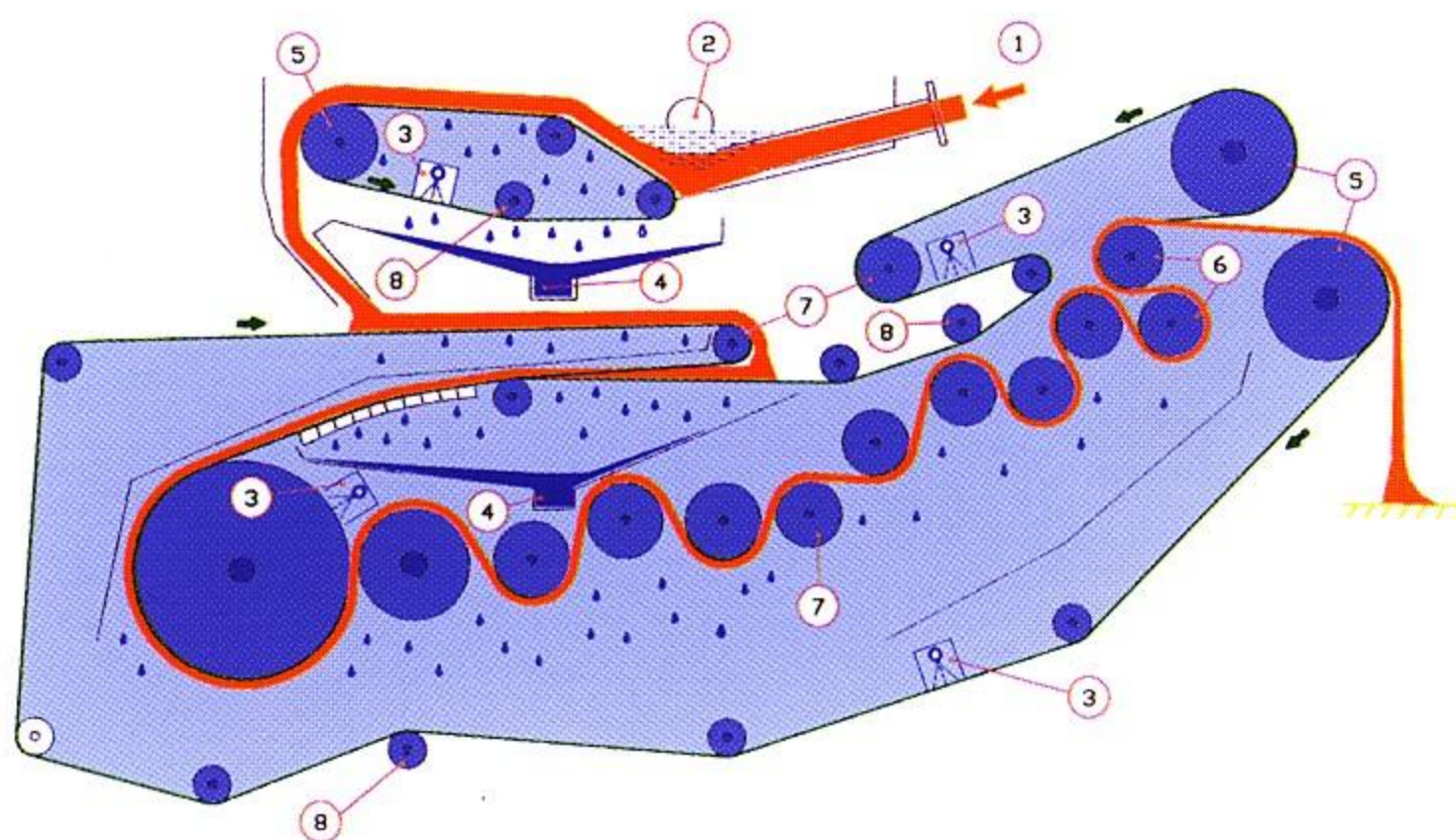
DWT-ENGINEERING OY

23800 Laitila Finland,
tel. +358-(0)2-461 800,
fax+358-(0)2-461 8400



H-PD Belt Filter Press

H-PD SLUDGE FLOW DIAGRAM



1. sludge feeding
2. overflow pipe for reject water
3. belt washing system
4. filtrate discharge
5. drive rollers
6. pressing rollers
7. belt tensioning rollers
8. belt steering rollers

H-PD DIMENSION CHART

Models	H-PD 7	H-PD 11	H-PD 16	H-PD 21
Length mm	3550	3550	3550	3550
Width mm	1400	1800	2300	2800
Height mm	2150	2150	2150	2150
Weight kg	2350	2900	3600	4600
Power kW	2,5	2,5	3,3	4,4

NOTE: The dimensions are given without filtrate tray and mounting bed

TYPICAL APPLICATIONS:

- Municipal waste water treatment plants
- Mining and metal industry
- Pulp & Paper Industry
- Food industry
- Tanneries

DWT-Engineering reserves the rights to alter these specifications.

DWT-ENGINEERING OY

23800 Laitila Finland,
tel. +358-(0)2-461 800,
fax+358-(0)2-461 8400

Your representative: