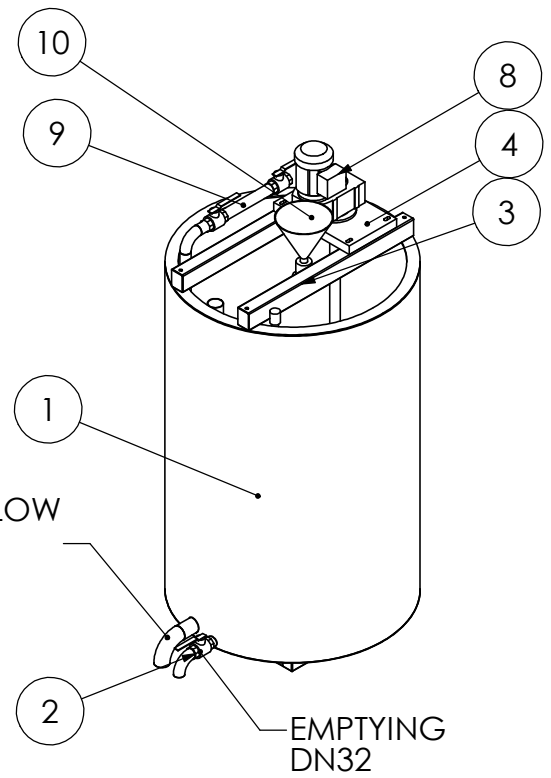
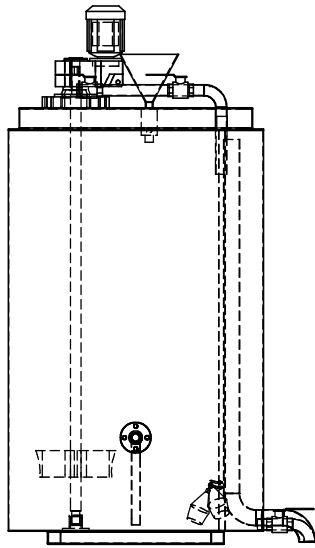
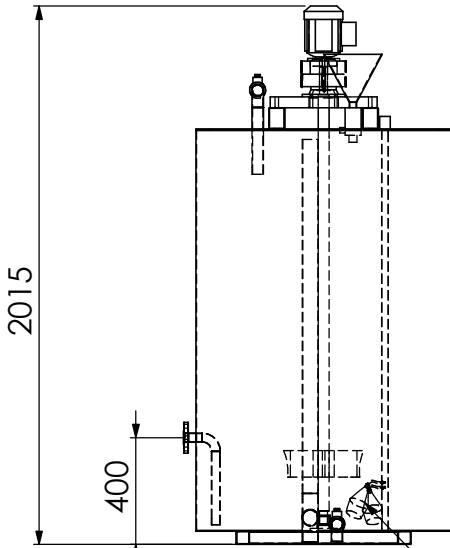


12		Käyra		DN32	AISI 304	1
11	102031	Varastosäiliön rajat			AISI 304	1
10		Liotoslaite				1
9		Vesilinja			AISI 304	1
8		Moottori		FAF37DT90...		1
7	112006	Akseli		Ø40 L=3275	AISI 304	1
6	112031	Pohjalaakeri			AISI 304/PE	1
5		Potkuri		ø300	AISI 304	1
4	11235	Sekoittajan laippa			PE-HD500	1
3		Sekoittajan palkki			AISI 304	2
2		Sulkuventtiili		DN32	AISI 316	1
1	02-MP1-R-säiliö	Säiliö			AISI 304	1
No	PIIR NO	NIMITYS	STANDARDI	MITAT	MATERIAALI	KPL

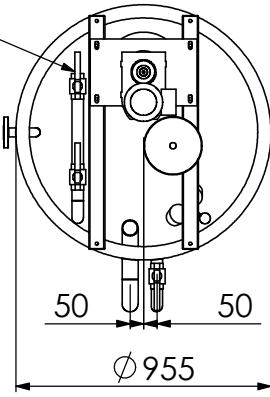


OVERFLOW
DN50

EMPTYING
DN32

WATER
INLET
DN32

Limit switch
2pcs



12		Curve		DN32	AISI 304	1
11	102031	Limit switch			AISI 304	1
10		Dissolving equipment				1
9		Water line			AISI 304	1
8		Drive unit		FAF37DT90...		1
7	112006	Shaft		Ø40 L=3275	AISI 304	1
6	112031	Bottom bearing			AISI 304/PE	1
5		Propeller		ø300	AISI 304	1
4	11235	Connection plate			PE-HD500	1
3		RHS pipe			AISI 304	2
2		Closing valve		DN32	AISI 316	1
1	02-MP1-R-säiliö	Frame			AISI 304	1
No	PIIR NO	DESCRIPTION	STANDARD	DIMENSIONS	MATERIAL	PCS

General tolerances		Scale	Product	Polymeerilaite	
		1:20	Product	Poly make up unit	
Drawn	PJ 20.2.2004		DW04009	Pre.	New
Des'd				Drawing no.	02-MP1-DW04009
Che'd		Weight	DEWA DW ENGINEERING OY LAILILA FINLAND	Rev	
App'd		198787.32 kg			

THIS DOCUMENT AND ANY INFORMATION HEREIN CONTAINED ARE THE PROPERTY OF DW ENGINEERING OY THE UNAUTHORIZED COPYING BY, USE BY, OR DISCLOSURE TO PERSONS WHO ARE NOT ENTITLED TO RECEIPT OF SUCH DISCLOSURE, OR DISCLOSURE TO PERSONS WHO ARE LIKELY TO MISUSE THIS DOCUMENT OR INFORMATION, IS PROHIBITED. ANY BREACH AGAINST THE ABOVE PROHIBITION IS LIABLE TO ENFORCEMENT WITH DAMAGES PAYABLE TO THOSE AGGRAVED AND OTHER REMEDIES AVAILABLE BY LAW OR EQUITY.

Rev	Pvm	Muutos	Nimi