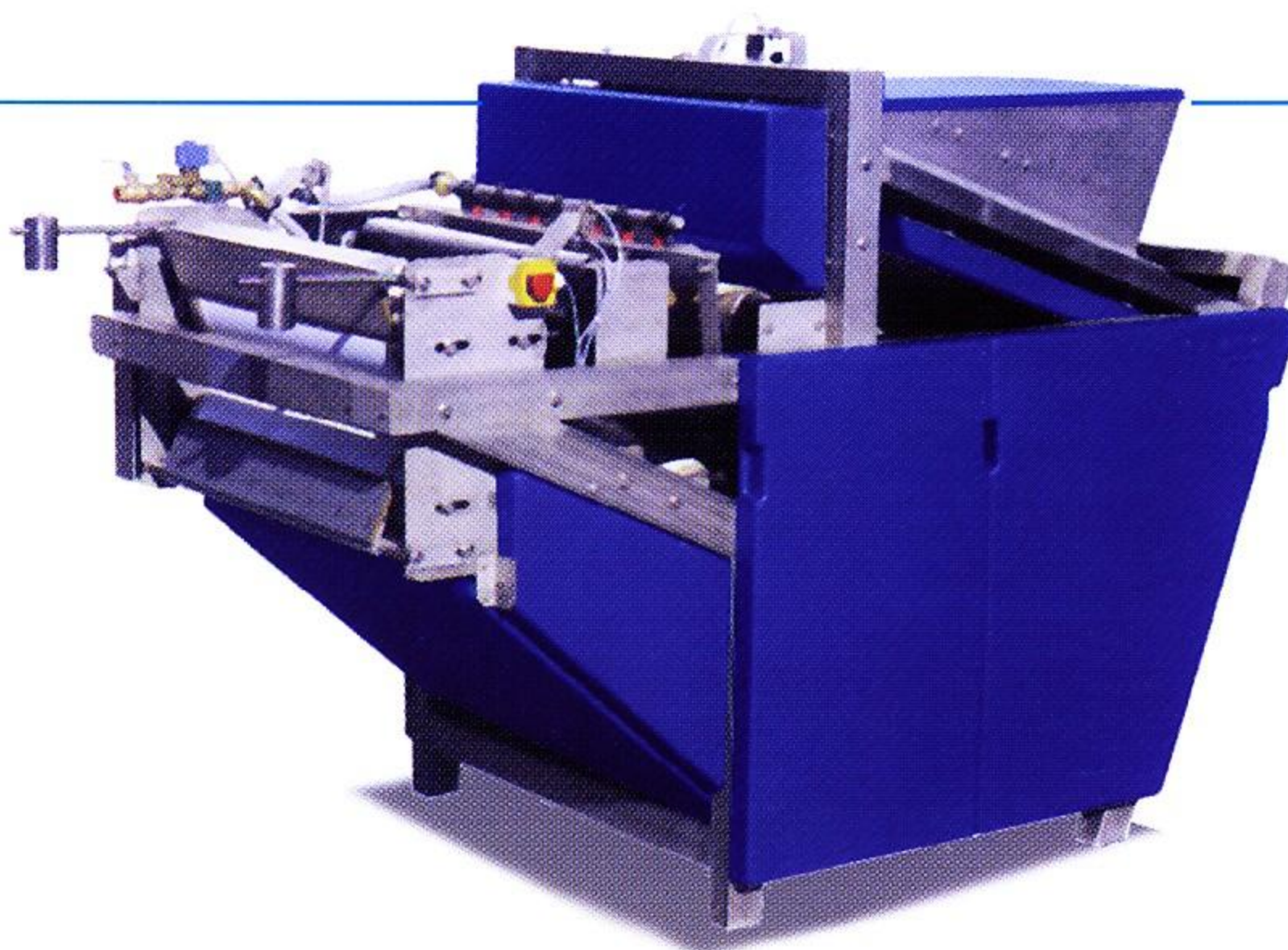




**WATER &
WASTE WATER
TREATMENT
SYSTEMS**

DWT-Engineering is a Finnish high-tech company specialising in designing, manufacturing and marketing efficient water and waste treatment systems for global environmental protection projects in municipal and industrial applications. DWT manufactures a wide range of standard and tailor made equipment. Wide experience in engineering, the use of the best materials and components, comprehensive network of representatives and good after sales service ensures the customers always the best and most economical solution.

P-C Mini Belt Filter Press



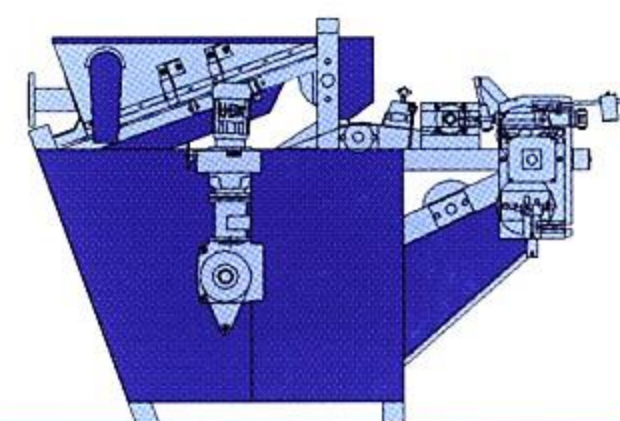
The Dewa P-C belt filter press is a space saving fully automatic sludge dewatering unit. It is suitable for various kinds of sludge dewatering processes. P-C is ideal for small scale industrial and municipal dewatering plants. The infeed capacity range of the P-C presses vary from 0.5 to 10 m³/hour with reasonably high throughput. 3 different belt width alternatives, best possible materials, all stainless steel frame construction and high precision roller mechanism makes it robust, reliable and long lasting. The P-C is the most economical choice for applications with low throughput (DS<20%) requirements.

- **Economical to purchase**
- **Requires minimum of space**
- **Low maintenance and running costs**
- **Ideal for small scale applications**
- **High quality corrosion-free materials and components**
- **Flexible and easy to use**
- **3 standard models**
- **Can be equipped with separate predewatering unit**

P-C CAPACITY CHART

Belt widths	70	110	160
Effective filtration area m ²	3,3	5,3	7,5
Sludge flow m ³ /h	0,5-4,0	3,0-7,0	6,0-10
DS capacity kg DS/h	50-150	100-250	200-400

See the dimension and application charts overleaf



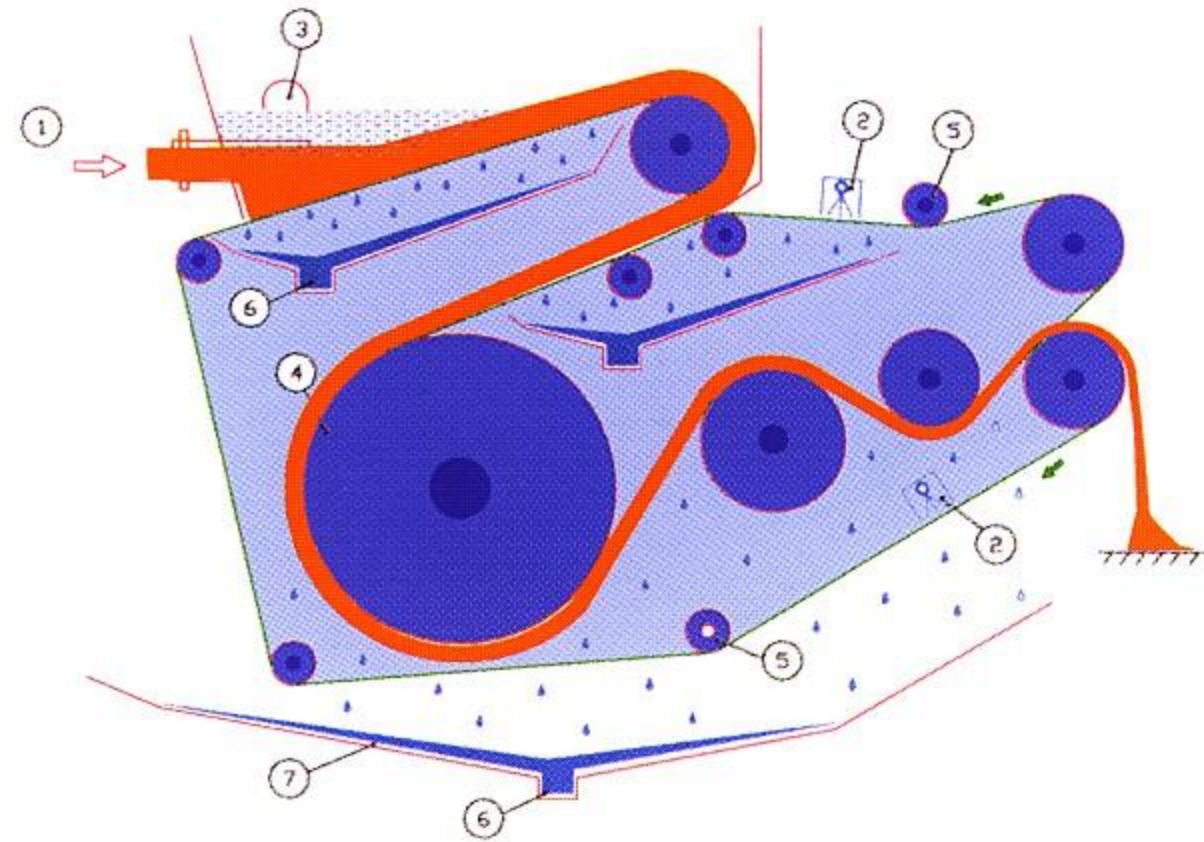
DWT-ENGINEERING OY

23800 Laitila Finland,
tel. +358-(0)2-461 800,
fax+358-(0)2-461 8400



P-C Belt Filter Press

P-C SLUDGE FLOW DIAGRAM



1. sludge feeding
2. belt washing system
3. overflow pipe for reject water
4. drive roller
5. belt steering roller
6. filtrate discharge
7. filtrate tray (optional)

P-C DIMENSION CHART

Models	P-C 7	P-C 11	P-C 16
Length mm	2150	2150	2150
Width mm	1350	1750	2250
Height mm	1650	1650	1650
Weight kg	700	900	1200
Power kW	0,37	0,37	0,55

NOTE: The dimensions are given without filtrate tray and mounting bed

TYPICAL APPLICATIONS:

- Small municipal plants
- Small scale Industrial plants
- Isolated holiday resorts
- Pig and cattle farms
- Containerized sludge dewatering units

DWT-Engineering reserves the rights to alter these specifications.

DWT-ENGINEERING OY

23800 Laitila Finland,
tel. +358-(0)2-461 800,
fax+358-(0)2-461 8400

Your representative: